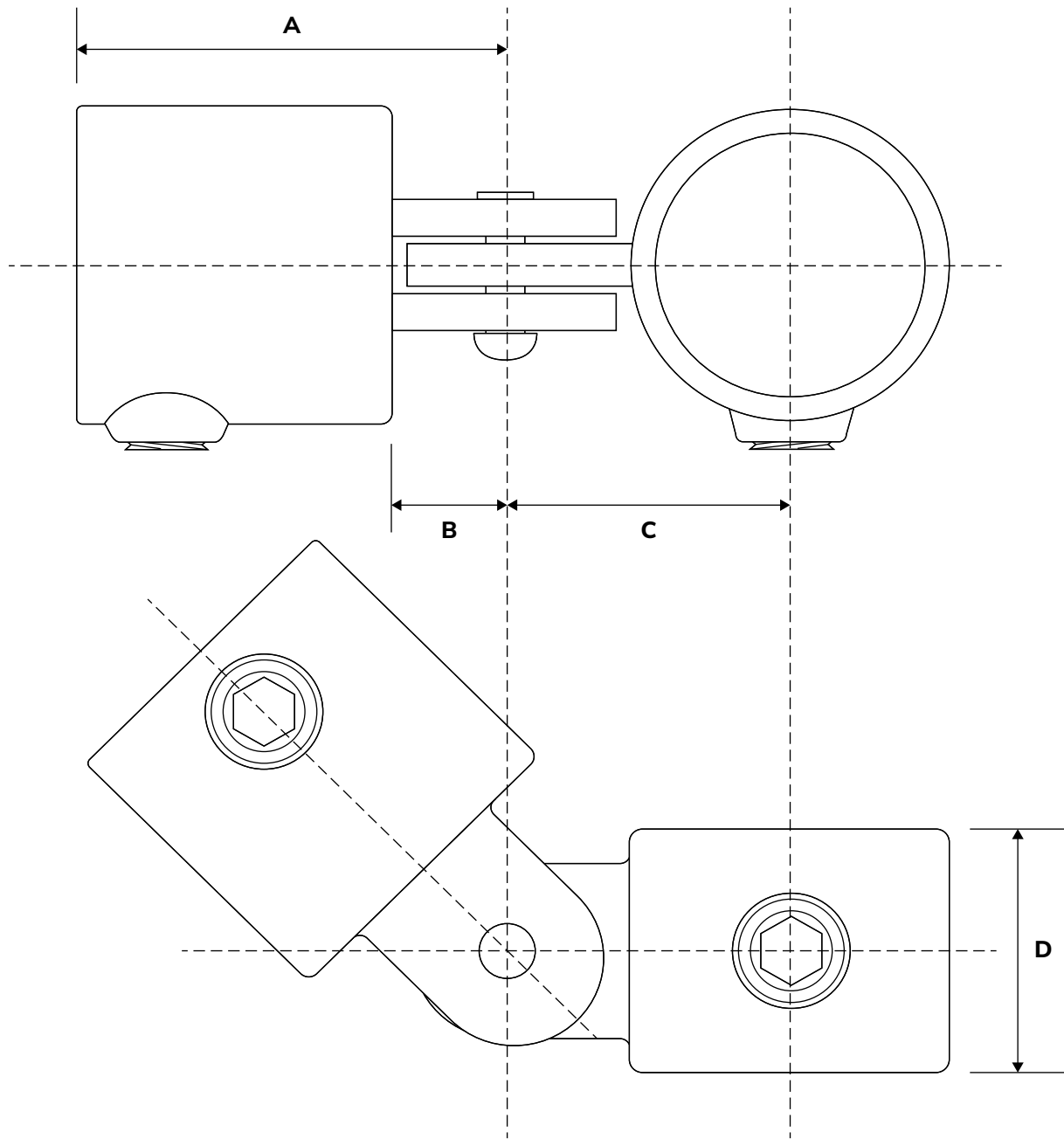




KEY CLAMP SYSTEM

KC173B COMBINATION CONNECTOR WITH THROUGH CENTRE TUBE / SINGLE SWIVEL



CODE	A	B	C	D	WEIGHT
KCS-33.7-SCC	72mm	22mm	44mm	39mm	0.58kg
	A SINGLE SWIVEL COMBINATION FITTING WITH APPROXIMATELY 85° OF SWIVEL MOVEMENT FROM THE HORIZONTAL IN BOTH VERTICAL DIRECTIONS. DOES NOT ALLOW TUBE-TO-TUBE CONNECTIONS WITHIN THE FITTING. NOT DESIGNED TO WITHSTAND LOADS.				
DIMENSIONS ARE PROVIDED AS A GUIDE ONLY AND MAY VARY SLIGHTLY. DRAWING NOT TO SCALE.				WELDITNFS.COM	