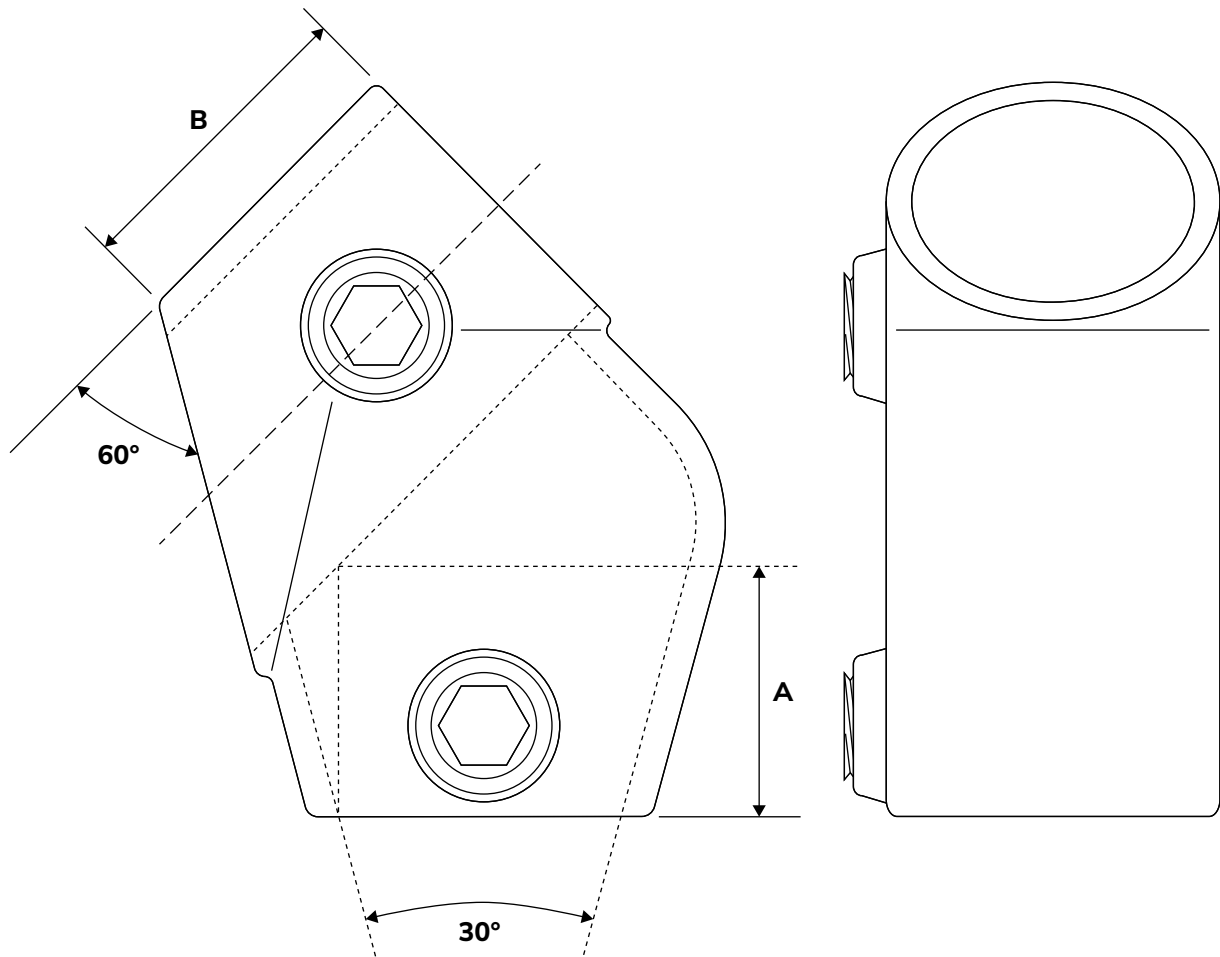


KEY CLAMP SYSTEM

KC129B TEE CONNECTOR / ADJUSTABLE 30-60° / GALVANISED



CODE	A	B	WEIGHT
KCS-33.7-30-TC	66mm	32mm	0.39kg



ADJUSTABLE TEE (30°-60°) USED TO CONNECT A VERTICAL POST TO THE TOP RAIL ON SLOPING OR STAIRCASE SYSTEMS. DOES NOT ALLOW THROUGH-TUBE CONNECTIONS WITHIN THE FITTING.

DIMENSIONS ARE PROVIDED AS A GUIDE ONLY AND MAY VARY SLIGHTLY. DRAWING NOT TO SCALE.

WELDTNFS.COM

